

ADVANCED HIGH CEILING 6" REV Series - Retrofit

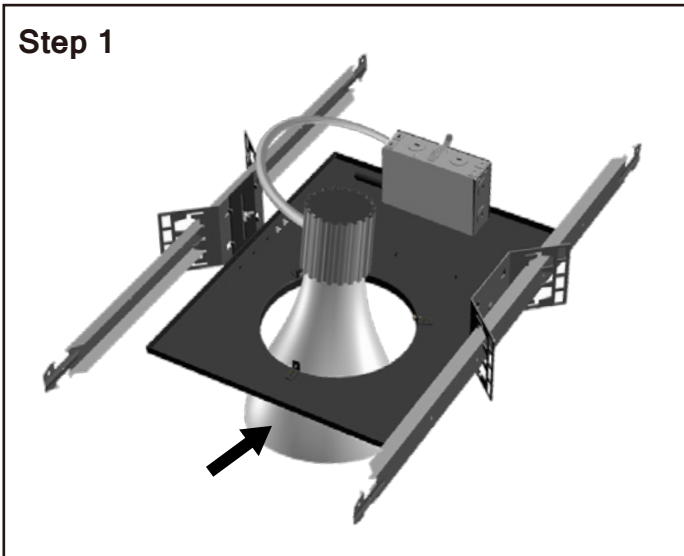


IMPORTANT SAFETY INFORMATION. READ AND FOLLOW ALL SAFETY INSTRUCTIONS

IMPORTANT SAFETY INFORMATION. READ AND FOLLOW ALL SAFETY INSTRUCTIONS. Before wiring to power supply and during servicing or relamping, turn off power at fuse or circuit breaker. All servicing or relamping must be performed by qualified service personnel. Product must be grounded to avoid potential electric shock or other potential hazard. Product must be at locations and at heights and in a manner consistent with its intended use, and in compliance with Electrical Code and local codes.

SAVE THESE INSTRUCTIONS FOR FUTURE REFERENCE.

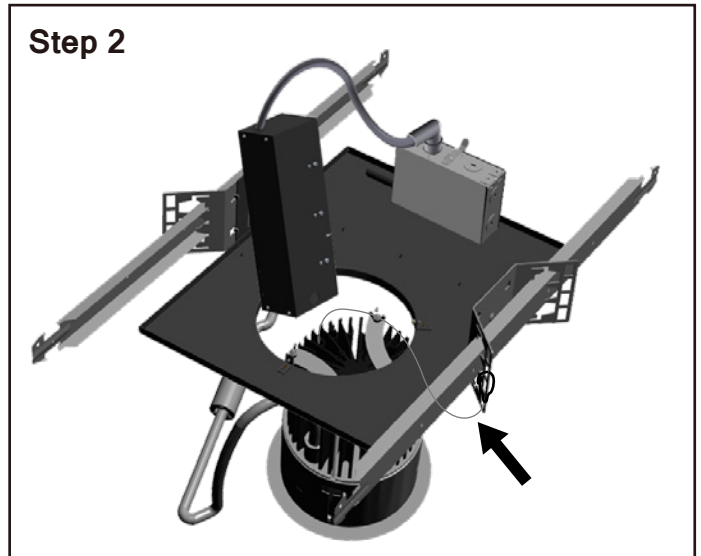
Step 1



Remove existing components

1. Remove existing reflector and lamp.
2. Open junction box cover and disconnect the wiring.
3. Remove reflector retention clips or hardware.
4. Retain existing mounting components (such as frames, butterfly brackets, hanger bars, junction box).

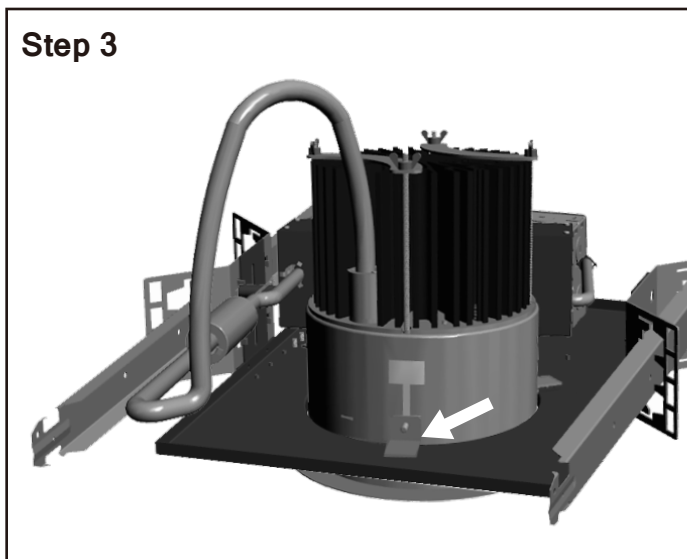
Step 2



Connect

1. Dispatch trim and reflector from LED module.
2. Hang LED module to existing frame with safety cable.
3. Place retrofit power box through ceiling opening.
4. Snap flexible conduit from power box into junction box.
Place power box away from ceiling opening.
5. Make electric connection in junction box from power box and snap on junction box cover.

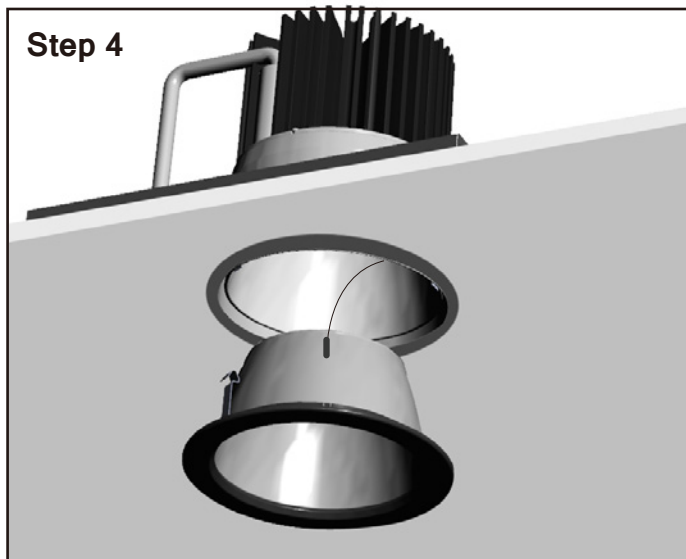
ADVANCED HIGH CEILING 6" REV Series - Retrofit



Step 3

Install

1. Push LED module up through existing frame until flush with ceiling opening.
2. Insert new mounting clips and tighten all screws.



Step 4

Finish

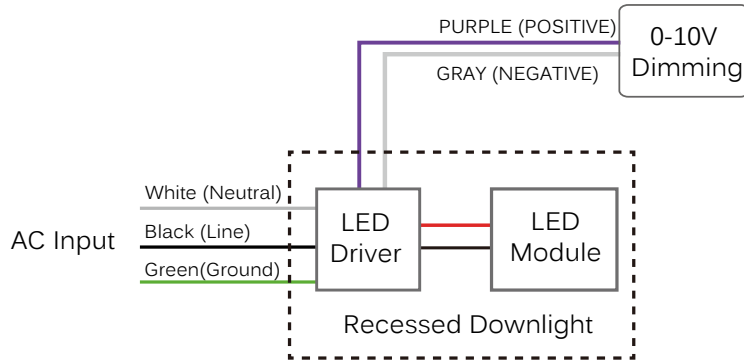
1. Connect safety cable to trim and push reflector into the frame to ensure the trim is flush to the ceiling.

ADVANCED HIGH CEILING 6" REV Series- Retrofit

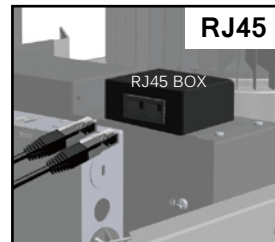
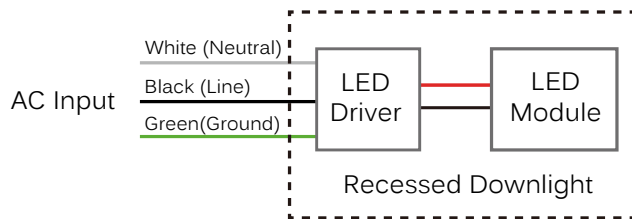


Wiring Diagram

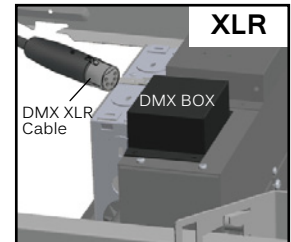
0-10V / Superior 0-10V



DMX



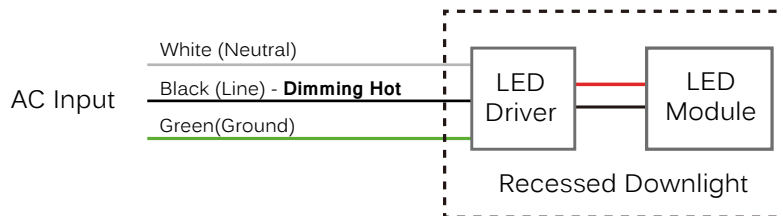
Connect DMX by using a standard shielded CAT5/6 cable.



Connect DMX by using a standard DMX512 XLR cable with 5 pin in/out connector (by others).

***The last fixture has to be terminated with a DMX Terminator (by others).**

TRIAC



Compatible TRIAC Dimmer List

LUTRON PART NO.

MRF2-6ND-120	HQRD-6NA	RRD-10ND	SZ-6ND
RRD-6NA	HQRD-6ND	HQRD-10ND	